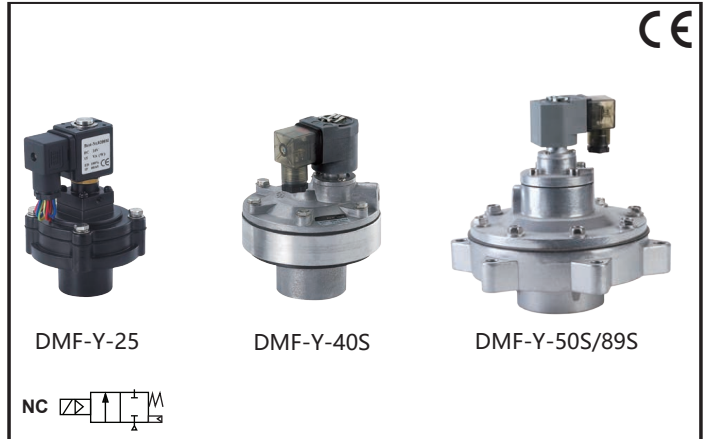


Features

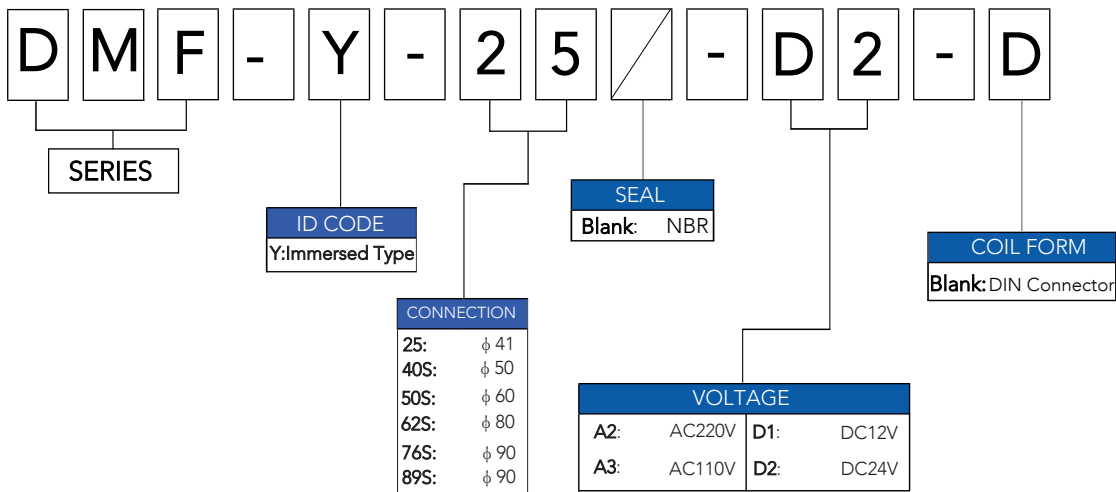
- Pulse valve special designed in dust-free industry.
- Long Lifetime and durable in use.
- Better production protection and high resistance in bad working environment.
- Special nut design could help easy pipeline installation.



Electrical

Standard Coil Class of Insulation	Watt Rating and Power Consumption				Spare Coil Part Number			
	DC		AC		General Purpose		Explosionproof	
	DC12V Watt	DC24V Watt	AC110V Watt	AC220V Watt	AC	DC	AC	DC
H/F	10W	11W	15VA	17VA	XHD-Y-AC	XHD-Y-DC	-	-
-	-	-	-	-	-	-	-	-
-	-	-	-	-	-	-	-	-

Ordering Code

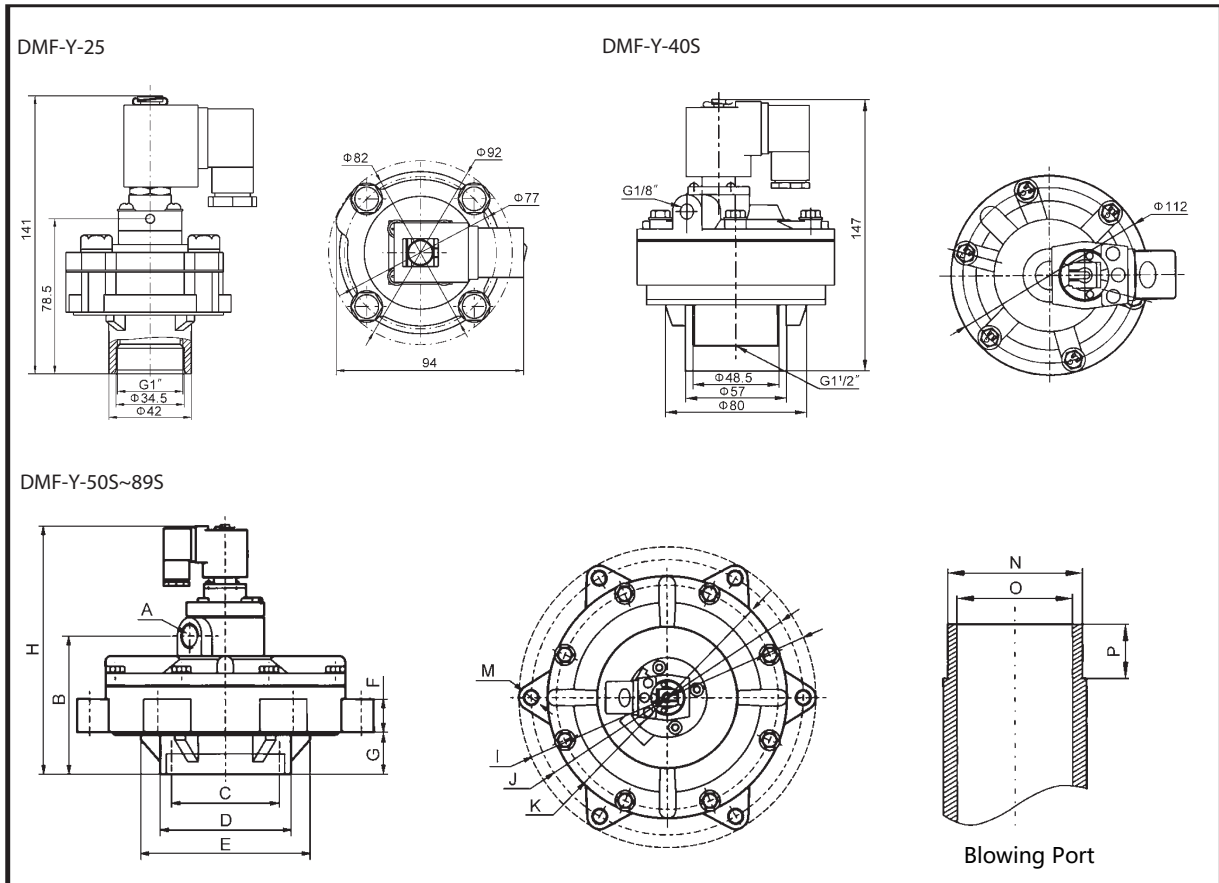


***Note:**
25: φ 41 type
only in plastic

Order Example:

DMF-Y series pulse valve, φ 50 connection size, NBR seals, AC220V, DIN connector
SENYA part# DMF-Y-40S-A2-DD

Dimensions Sheet (mm)



Model	A	B	C	D	E	F	G	H	I	J	K	M	N	O	P
DMF-Y-50S	G3/8"	99.5	φ64.5	φ78.5	φ118	25	31	187	φ200	φ180	φ159	6-φ11.5	φ61.5 ^{+0.44} _{-0.22}	50	43.5
DMF-Y-62S	G3/8"	106.5	φ80	φ93.5	φ145	34.5	35	197	φ230	φ208	φ184	6-φ11.5	φ75 ^{+0.44} _{-0.22}	62	44
DMF-Y-76S	G3/8"	113	φ90	φ109	φ141	27	34	205	φ248	φ227	φ200	6-φ11.5	φ89 ^{+0.44} _{-0.22}	76	34
DMF-Y-89S	/	/	φ86	φ90	φ158	33.5	50	/	φ200	φ176	/	8-φ11	φ85 ^{+0.44} _{-0.22}	76	34

Model	DMF-Y-25	DMF-Y-40S	DMF-Y-50S	DMF-Y-62S	DMF-Y-76S	DMF-Y-89S
Operating Pressure	0.3~0.8MPa					
Ambient Temperature	-5~55°C					
Relative Humidity	< 85%					
Working Medium	Clean Air					
Voltage	AC110V/AC220V/DC24V					
Diaphragm Life	Over One Million Cycles					
Orifice	φ25	φ45	φ50	φ62	φ76	φ89
Connection Port	φ41	φ50	φ60	φ80	φ90	φ90